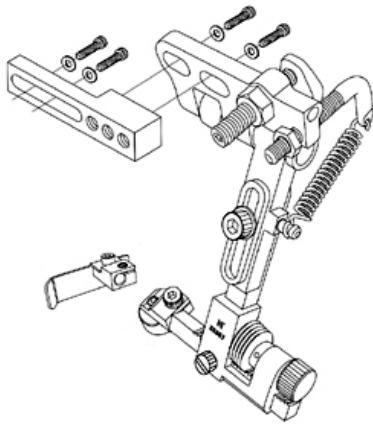


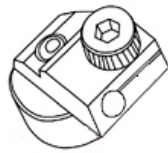
Suspending Guide for Pfaff

KG1245 for Pfaff 1245, 1246, 1525, 1526, 335, 591....



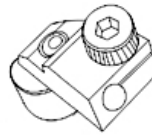
This guide can solve the problem that different model Pfaff machine match different guide. It can be used on most Pfaff machine. It includes a long straight guide and a 14mm diameter roller guide.

KG-B14



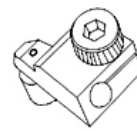
Roller diameter: 14mm

KG-S11



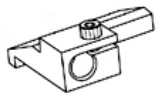
Roller diameter: 11mm

KG-S04



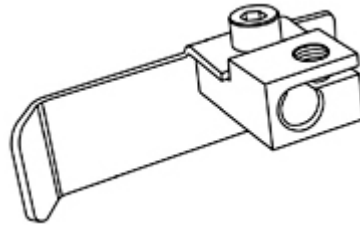
Roller diameter: 4mm

KG-BZ

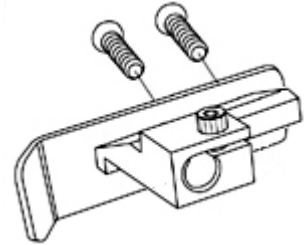


Zipper Guide

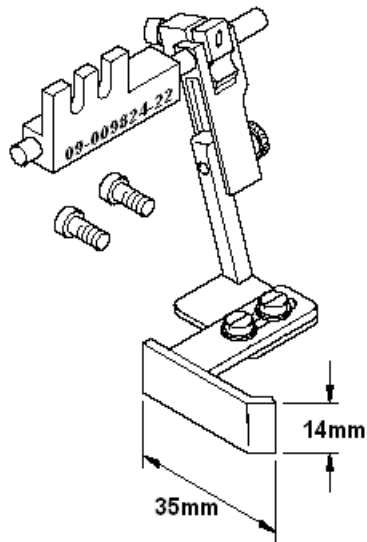
KG-AA



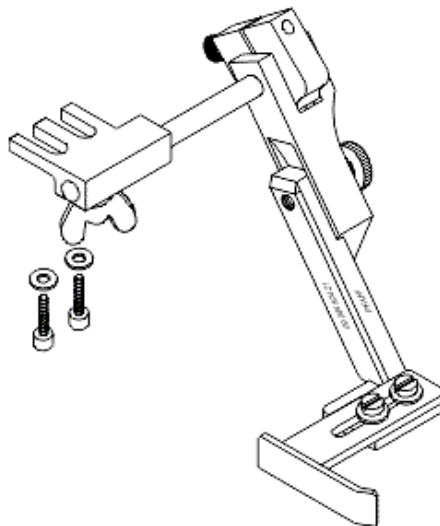
KG-AB



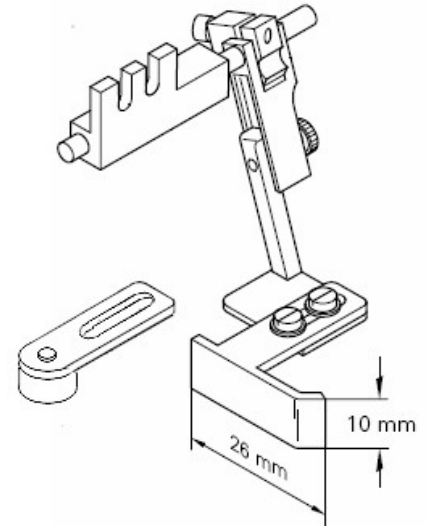
09-009 824-22 for Pfaff 1525



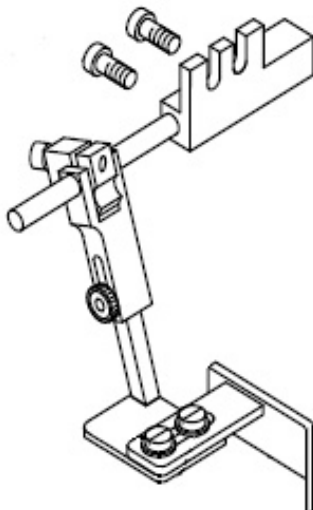
09-009 824-21 for Pfaff 1245



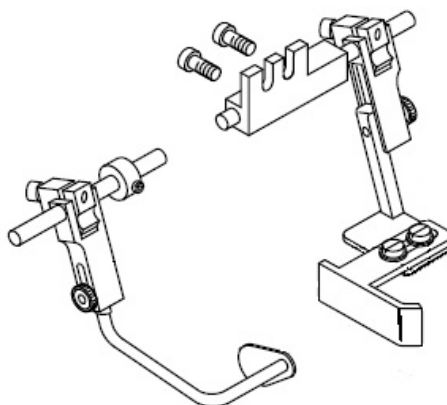
09-009 851-98 for Pfaff 3834



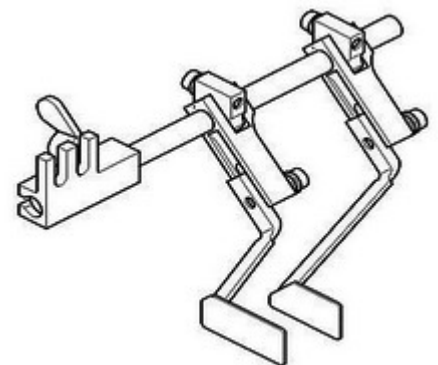
09-009 844-35 for Pfaff 1525

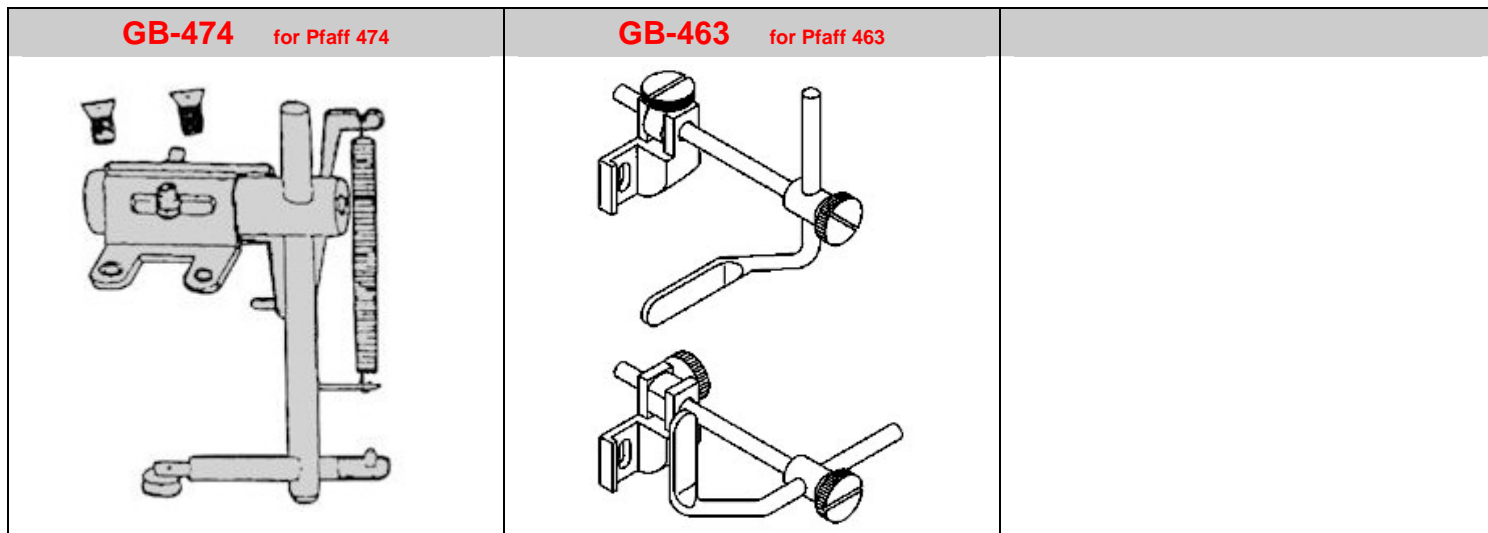


09-009 842-60 for Pfaff 1525

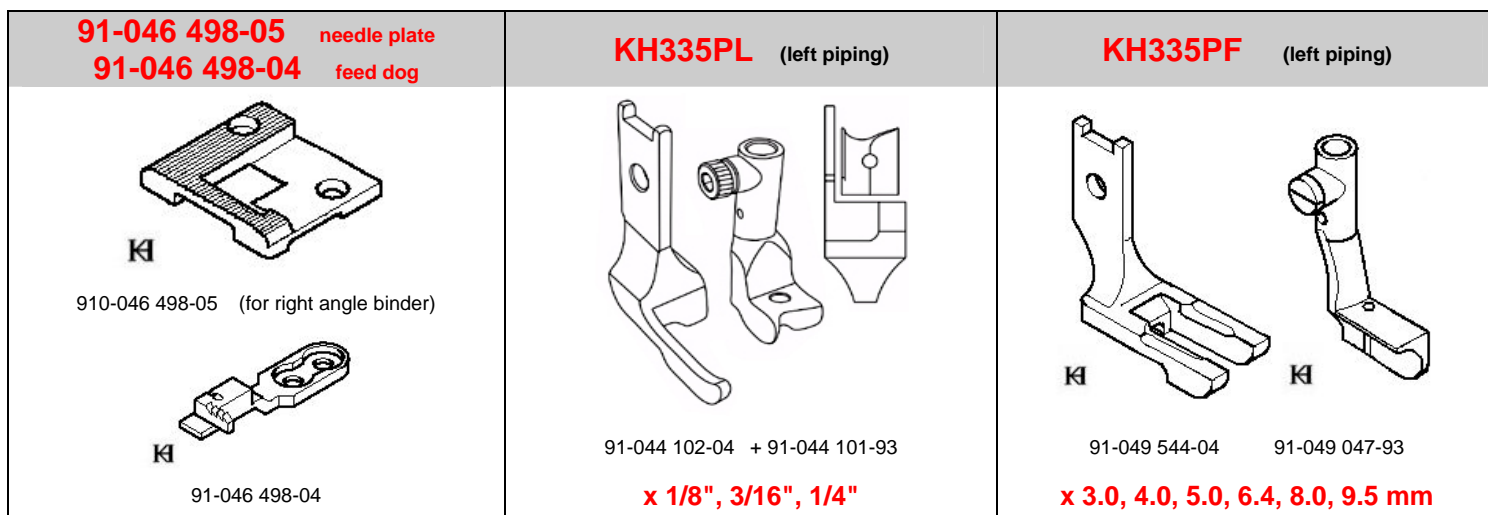
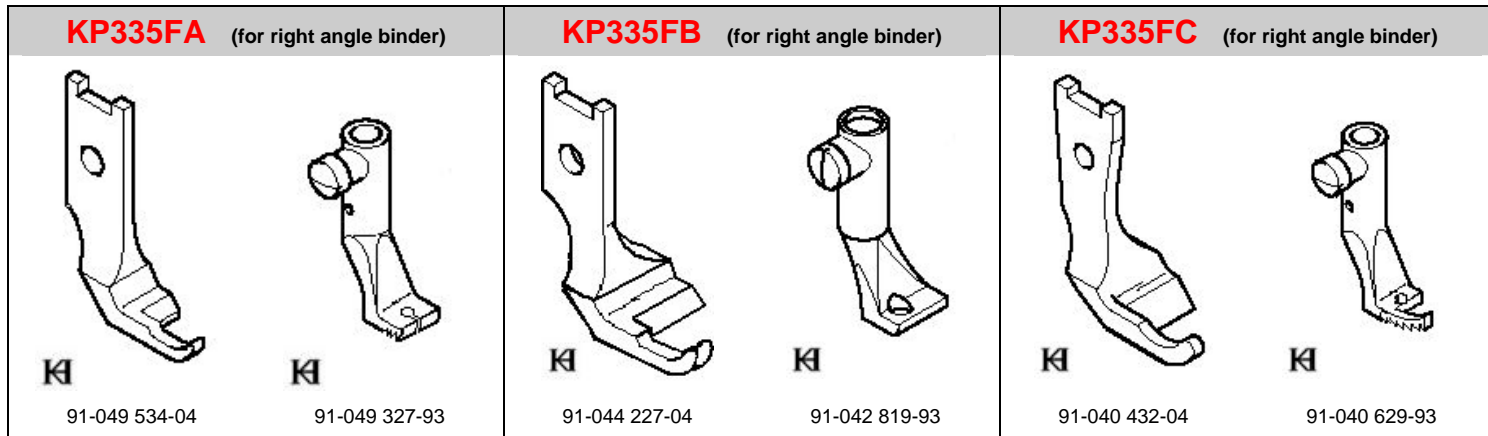
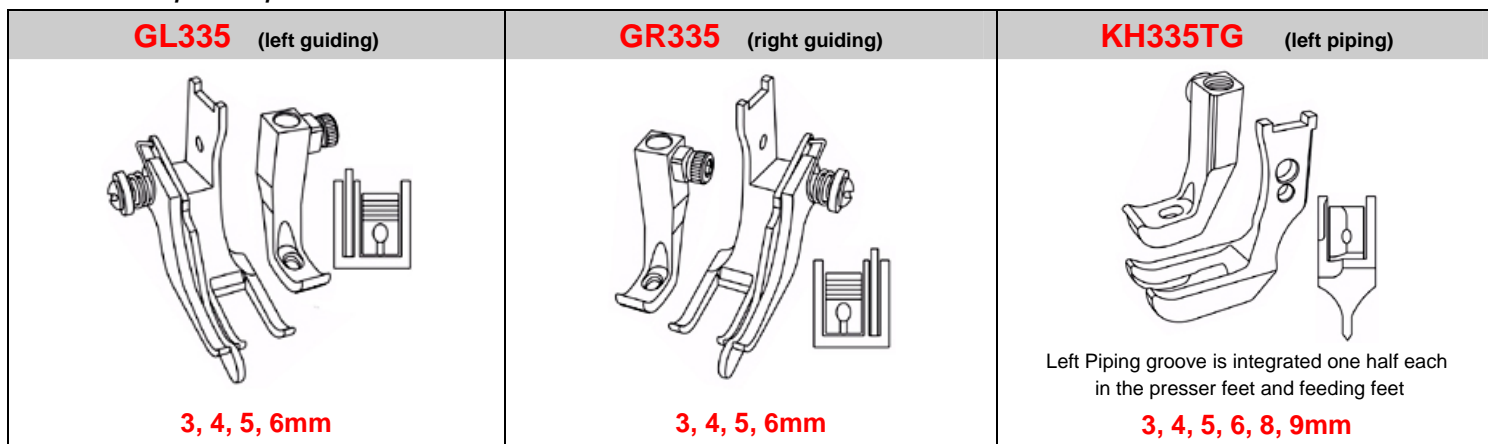


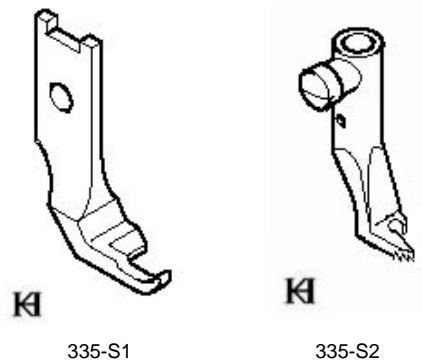
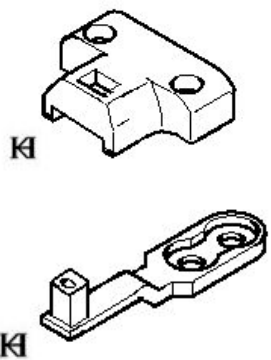
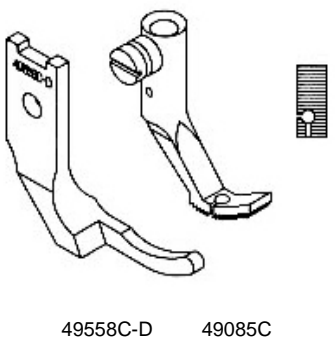
KG1525D for Pfaff 1525

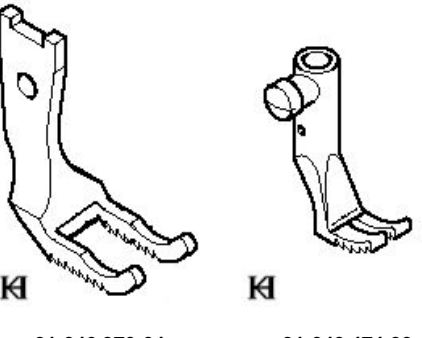
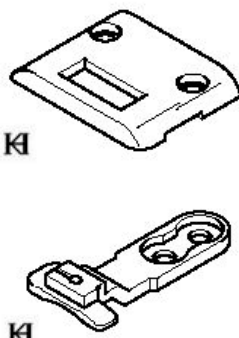
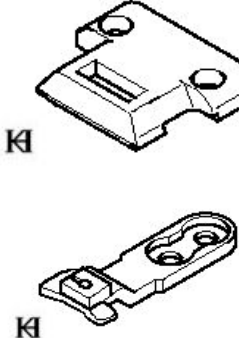


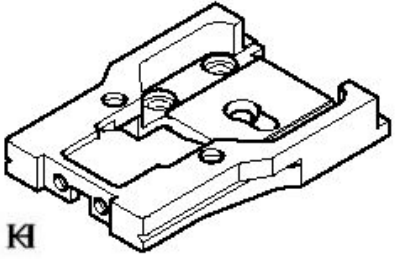


Pfaff 335, 345, 1245

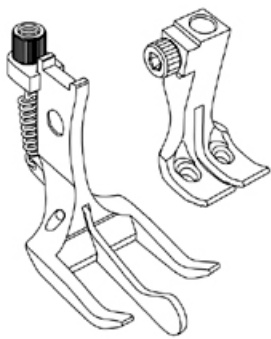
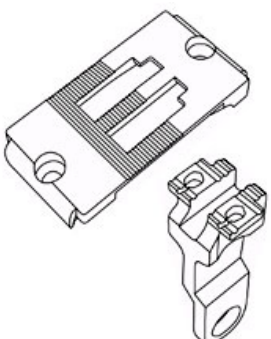
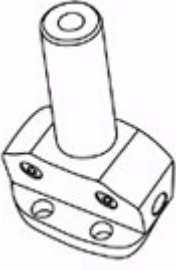


| | | |
|--|---|---|
| <p>KP335S (for small operation)</p> | <p>335-S3 needle plate (for small operation) 335-S4 feed dog (for small operation)</p> | <p>KP335LB</p> |
|  <p>335-S1 335-S2</p> |  |  <p>49558C-D 49085C</p> |

| | | |
|--|---|---|
| <p>KP335W</p> | <p>91-158 206-04 needle plate 91-059 229-04 feed dog</p> | <p>91-150 555-05 needle plate 91-059 703-05 feed dog</p> |
|  <p>91-046 970-04 91-040 474-93</p> |  <p>91-158 206-04 91-059 229-04</p> |  <p>91-150 555-05 91-059 703-05</p> |

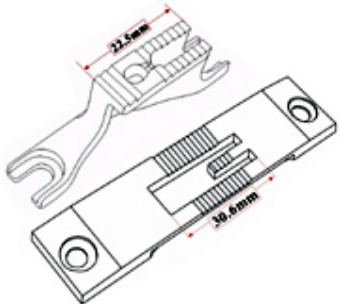
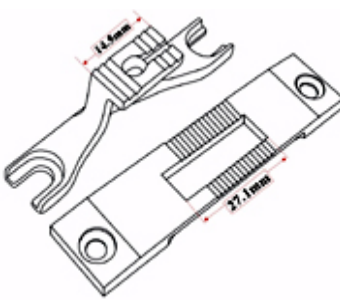
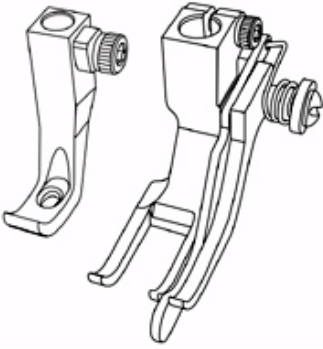
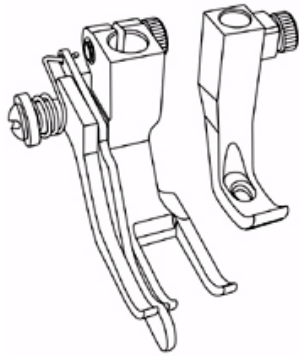
| | | |
|--|--|--|
| <p>91-014 636-35</p>  | | |
|--|--|--|

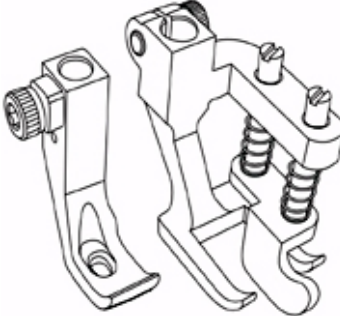
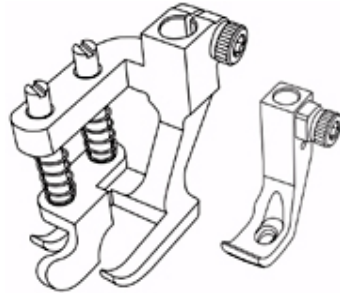
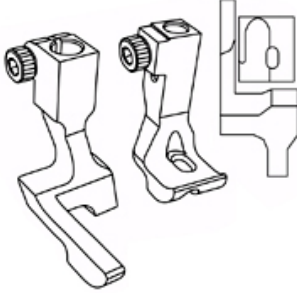
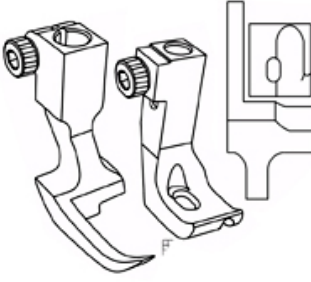
Pfaff 1246

| | | |
|---|--|---|
| <p>KP1246</p>  <p>8, 10, 12mm</p> | <p>KH1296-NP, -FD</p>  <p>6, 8, 10, 12mm</p> | <p>KH1296-NC</p>  <p>6, 8, 10, 12mm</p> |
|---|--|---|

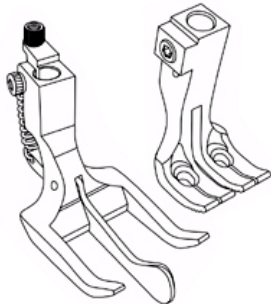
Pfaff 1525, 1445

| | | | |
|--|--|--|--|
| <p style="text-align: center;">KP1445L</p>  | <p style="text-align: center;">KP1445</p>  | <p style="text-align: center;">KP1445R</p>  | <p style="text-align: center;">KP1525-TG</p>  <p style="text-align: center;">3, 4, 5, 6, 8, 9mm</p> <p>Welt groove is integrated one half each in the presser feet and in the feeding feet at the left hand side of needle.</p> |
|--|--|--|--|

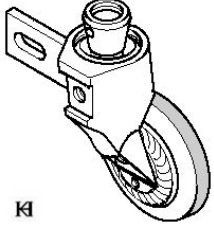
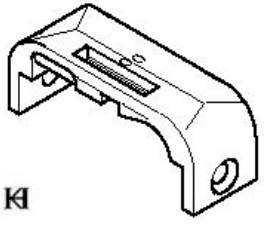

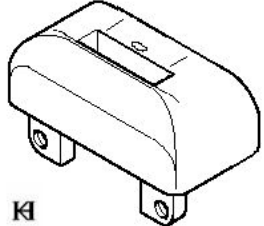
| | | | |
|---|--|--|---|
| <p style="text-align: center;">KH1525A</p>  <p>KH1525A-NP needle plate KH1525A-FD feed dog</p> | <p style="text-align: center;">KH1525B</p>  <p>KH1525B-NP needle plate KH1525B-FD feed dog</p> | <p style="text-align: center;">GR1525- J</p>  <p style="text-align: center;">3, 4, 5, 6, 8, 9mm Guiding</p> | <p style="text-align: center;">GL1525- J</p>  <p style="text-align: center;">3, 4, 5, 6, 8, 9mm Guiding</p> |
|---|--|--|---|

| | | | |
|--|---|--|---|
| <p style="text-align: center;">GR1525- H</p>  <p style="text-align: center;">6, 8, 9mm Guiding</p> | <p style="text-align: center;">GL1525- H</p>  <p style="text-align: center;">6, 8, 9mm Guiding</p> | <p style="text-align: center;">KH1525- PL</p>  <p style="text-align: center;">3, 4, 5, 6, 8, 9mm</p> <p>Cording groove on the left of the needle</p> | <p style="text-align: center;">KH1525- PR</p>  <p style="text-align: center;">3, 4, 5, 6, 8, 9mm</p> <p>Cording groove on the left of the needle</p> |
|--|---|--|---|

Pfaff 1526

| | | |
|--|--|--|
| <p style="text-align: center;">KP1526</p>  <p style="text-align: center;">8, 10, 12mm</p> | | |
|--|--|--|

Pfaff 474, 491, 493

| Roller presser | 474NP | 91-119 722-91 + 91-119 544-05 | 491NP |
|---|---|--|--|
|  <p data-bbox="135 347 159 369">K</p> <p data-bbox="87 392 375 414">Diameter: 25mm, 29mm, 35mm</p> |  <p data-bbox="470 336 502 358">K</p> <p data-bbox="502 392 710 414">1.6mm, 2.0mm, 2.4mm</p> |  |  <p data-bbox="1220 369 1252 392">K</p> |