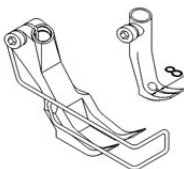
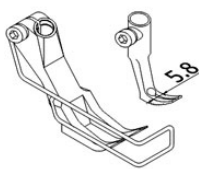

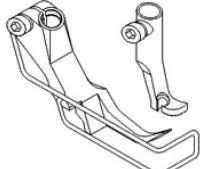
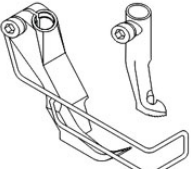
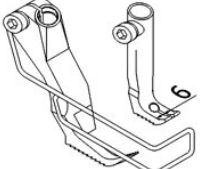
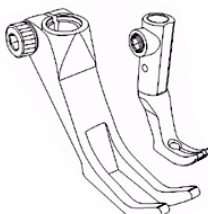
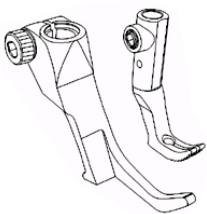
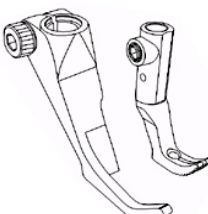
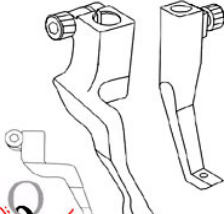
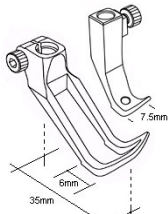
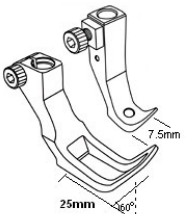
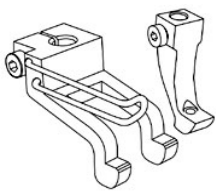
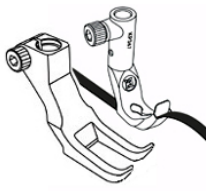
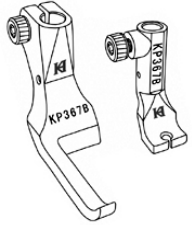
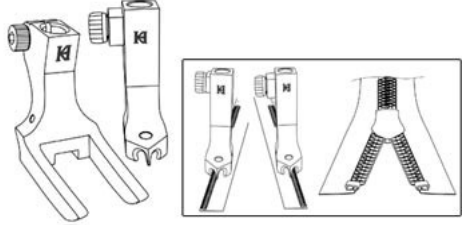
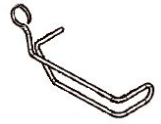
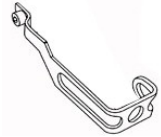


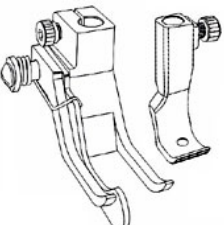
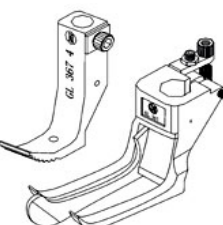
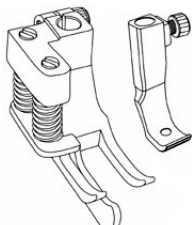
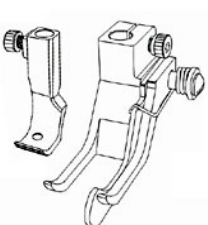
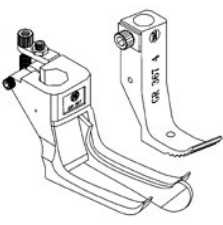
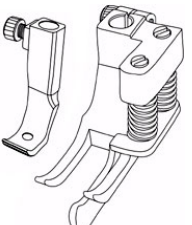
Single needle feet for Durkopp Adler 367/467/767 machine

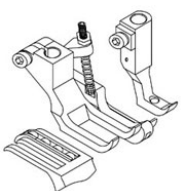
KP367W	KP367N	KP367F	KP367LN	KP367RN	KP367T
					
0467 220043 + 0467 220013	0367 225053 + 0367 225043	0367-220103 + 0067-220993	0367-220343 + 0067-220703	0367-220283 + 0067-220713	0367-220103 + 0067-220993
Feeding feet 8mm Wide	Feeding feet 5.8mm wide	Binding, 12.2mm Inner Feet	Stitching on edges on the left of the needle	Stitching on edges on the right of the needle	for Zipper, 5.5mm Inner Feet

KP367-N081	KP367-L081	KP367-R081	KP467Q	KP367VX	KP367VC
					
Pressing feet width : 10mm Feeding feet width : 4.5mm	Pressing feet width : 7.5mm Feeding feet width : 4.5mm	Pressing feet width : 7.5mm Feeding feet width : 4.5mm	For Uptumed material or seam with a large drop-height * Must be used with KH467Q-NP/FD	0767-220013 + 0467-220483 Climbing over cross seams and the like.	0367-221543 + 0367-221553 Climbing over thicker material
Presser foot for narrow operation. They must be used together with KH467N081-NP/FD needle plate and feed dog.					

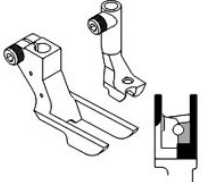
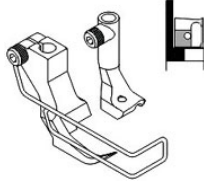
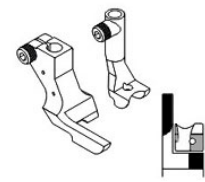
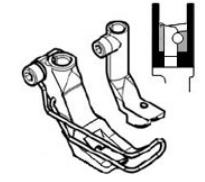

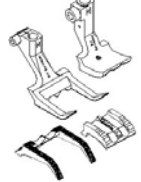
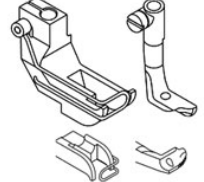
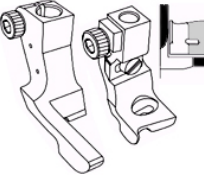
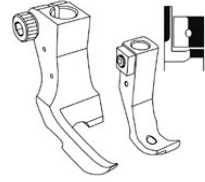
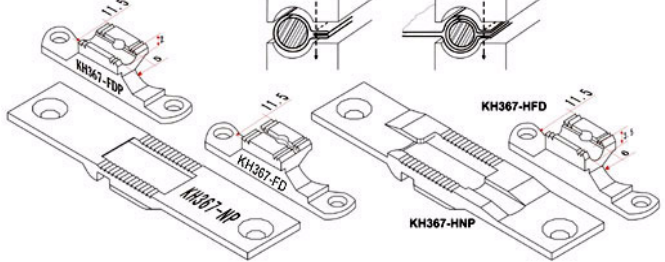
KP367S	KP367TP	KP367-B	KP367-ZP	KP367-FG
				
Designed for small working	Tape attaching tube on feeding feed Tape wide : 5mm or tailor-made	Can be used together with KH467B needle plate and feed dog and KHB767	Feet for invisible zipper, used together with KHF844	

Single needle guiding feet for Durkopp Adler machine 367/467/767

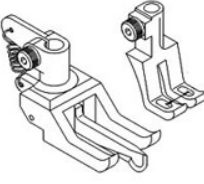
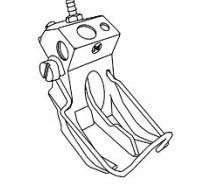
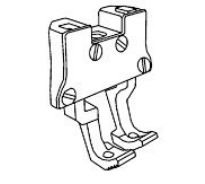

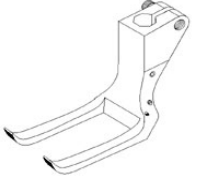
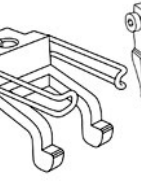
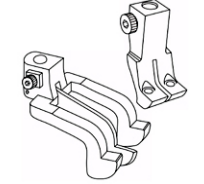
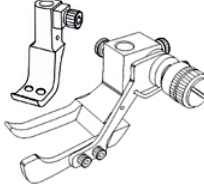
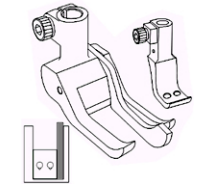
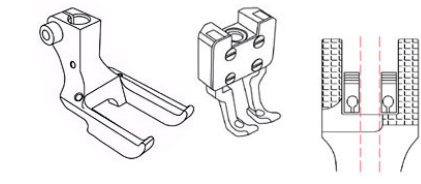
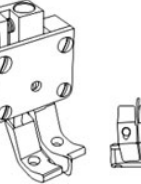

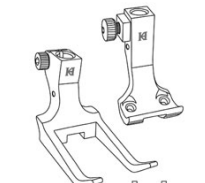
GL367	GL367X	GL367H	GR367	GR367X	GR367H
					
3, 4, 5, 6, 8, 9mm Left compensating guide	3, 4, 5, 6, 8, 9mm Stronger left compensating guiding & wider feeding feet for HEAVY DUTY	5, 6, 7, 8, 9mm Deeper left compensating guiding with balancing spring	3, 4, 5, 6, 8, 9mm Right compensating guide	3, 4, 5, 6, 8, 9mm Stronger right compensating guiding & wider feeding feet for HEAVY DUTY	5, 6, 7, 8, 9mm Deeper right compensating guiding with balancing spring

R367R					
					
3, 4, 5, 6mm Right roller guide					


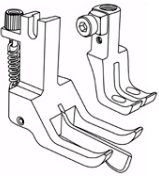
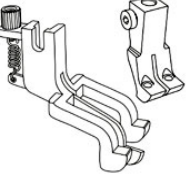


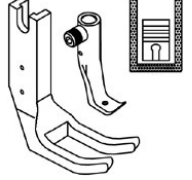


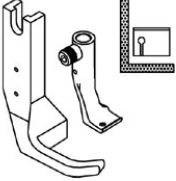

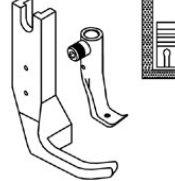
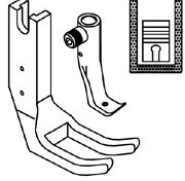
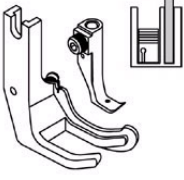
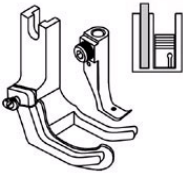
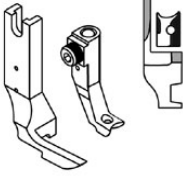
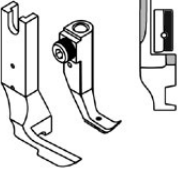
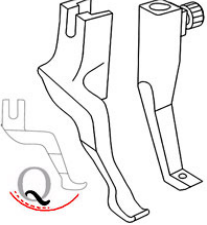
Single needle piping/cord feet for Durkopp Adler 367/467/767 machine

<p>KH367PF</p>  <p>4, 5, 6, 8, 9mm</p> <p>Cording groove on the left of the needle</p>	<p>KH367PR</p>  <p>3.2, 4.8, 6.4mm</p> <p>Cording groove on the right of the needle</p>	<p>KH367PL</p>  <p>3, 4, 5, 6, 8, 9mm</p> <p>Cording groove on the left of the needle</p>	<p>KH367PC</p>  <p>5, 6mm</p> <p>Piping operation to the left of the needle</p>	<p>KP767TG</p>  <p>5, 6, 8mm</p> <p>Welt groove is integrated one half each in the presser feet and in the feeding feet.</p>	<p>KH367PD</p>  <p>3/16"x2, 1/4"x2, 3/8"x2</p> <p>Double piping groove Needle hole in middle</p>
<p>KP767WG</p>  <p>0767 V91112 + 0767 V91165</p> <p>5mm wide x 7mm high</p> <p>Welt groove is integrated one half each in the presser feet and in the feeding feet. It can be used together with KHF767WS</p>	<p>KH367PJ</p>  <p>3, 4, 5, 6, 8, 9mm</p> <p>Similar to KH367PL, Cording groove on the left of the needle. But groove position is adjustable in order to adjust the space between the needle and the cord.</p>	<p>KH367PSL</p>  <p>3, 4, 5, 6, 8, 9mm</p> <p>It is similar to KH367PL, but its Welt groove is integrated one half each in the presser feet and in the feeding feet.</p>	<p>KH367-NP</p> <p>Needle plate for piping, which is used together with KH367FDP or KH367-FD</p> <p>Grooved feed dog's main purpose is solving the problem of unbalance between upper and lower layers. It must be used together with KH367-PR/-PL/-PF presser feet.</p>  <p>KH367-FDP KH367-FD KH367-HNP</p> <p>Grooved feed dog for 5mm piping, totally 11.5mm wide</p>		<p>KH367-HNP</p> <p>Needle plate for larger piping, which is used together with KH367-HFD</p> <p>KH367-HFD</p> <p>Grooved feed dog for 6mm piping, which is used together with KH367-HNP</p>

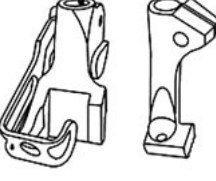
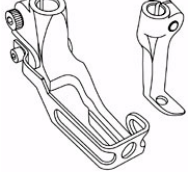
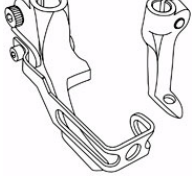

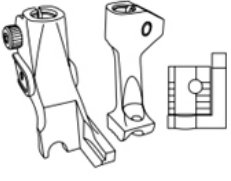
Double needle feet for Durkopp Adler machine

<p>KP767</p>  <p>6, 8, 10, 12mm</p>	<p>KP768AO</p>  <p>6, 8, 10, 12, 14mm</p> <p>Skipping feet with pneumatic center guide</p>	<p>KP768-I</p>  <p>6, 8, 10, 12, 14mm</p> <p>Compensating feet</p>	<p>KP767UD</p>  <p>4, 5, 6, 8, 10, 12mm</p>	<p>KP767U</p>  <p>3, 4, 5, 6, 8, 10, 12, 14, 16mm</p>	<p>KP767S</p>  <p>6, 8, 10, 12, 14mm</p> <p>For small working</p>
<p>KP767SK</p>  <p>6, 8, 10mm</p>	<p>GA767R</p>  <p>5,6,8,10,12,14mm</p> <p>Double needle feet with right guide. Guide pressure and guide level adjustable</p>	<p>GR767</p>  <p>6, 8, 10, 12mm</p>	<p>KP768MO + KP768MI</p>  <p>10mm needle space, for center piping</p>		<p>KP768-ix</p>  <p>6, 8, 10, 12, 14mm</p> <p>Compensating Inner Feet with a center guide on right toe</p>
<p>KP768-Hi</p>  <p>6, 8, 10, 12mm</p> <p>Support larger difference in height</p> <p>9.5mm</p>	<p>KP767-EP</p>  <p>10, 12, 14mm</p> <p>Zipper feet used together with KHF844</p>				

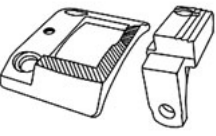
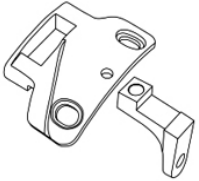
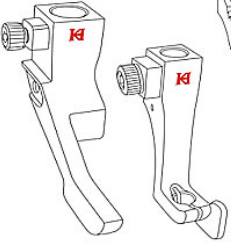

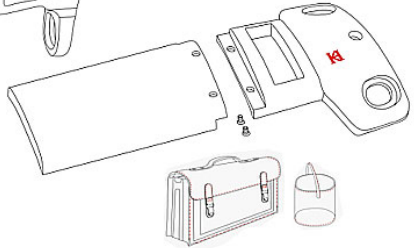
Feet for Durkopp Adler 69, 267, 269 machine

KP269UD  3, 4, 5, 6, 8, 10mm Double needle presser feet	KP269  6, 8, 10mm Double needle feet with center guide	KP269SK  6, 8, 10, 12mm For small working, with center guide	KP269DX  Inner feet with center guide	KP269W  Regular feet set Inner feet 7.5mm wide	KP269N  Narrow feet set Inner feet 6mm wide
KP269RN  Stitching on edges on the right-hand-side of needle	KP269LN  Stitching on edges on the left-hand-side of needle	KP269F  Presser feet set for binding	KP269S  Feet set for small operation Used together with KH69S	KP269T  Feet set for zipper Used together with KH69S	KP269TS  Narrower feet set for zipper Used together with KH69S
GR269  3, 4, 5, 6mm With right guiding	GL269  3, 4, 5, 6mm With left guiding	KH269PL  Groove size: 3, 4, 5, 6mm Piping groove on the left-hand-side of needle	KH269PSL  Groove size: 3, 4, 5, 6mm Piping Groove on the left-hand side of needle, and integrated one half each in the presser feet and in the feeding feet	KP267Q  For Uptumed material or seam with a large drop-height * Must be used with KH267Q-NP/FD	




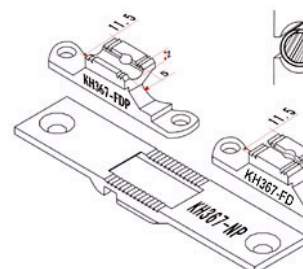
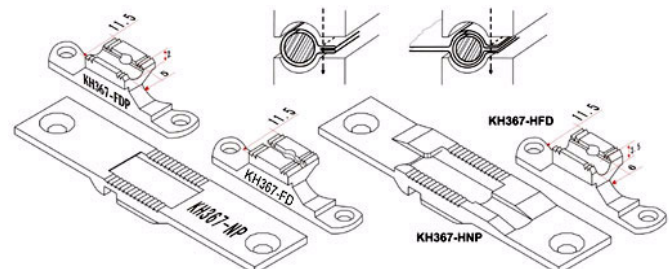
Feet for Durkopp Adler 205-370 machine

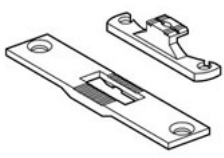
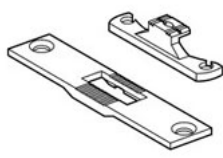
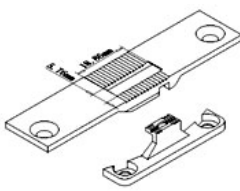
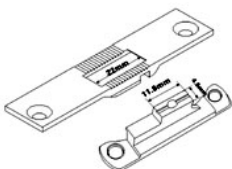
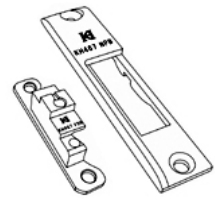
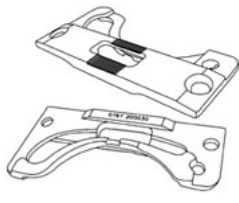
KP205B  Binding for 205-370 machine Used together with KH205NPB/FDB	KP205LN  Stitching on edges on the left of the needle for 205-370	KP205RN  Stitching on edges on the right of the needle for 205-370	GR204  4, 5, 6mm Right Guiding Feet	KH204PC  5, 6, 8, 9mm Piping Operation to left of the needle	
---	---	--	--	--	--

Gauge set for Durkopp Adler 205-370 machine


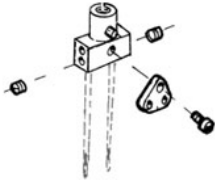
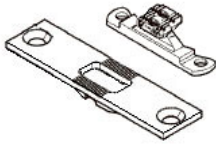
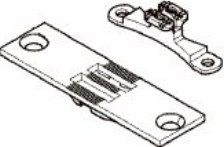
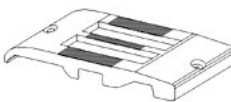
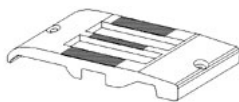
KH205NPB/FDB  Feed Dog 11.4mm wide for Binding with 205-370 machine Used together with KP205B feet	KH205M  Needle plate and Feed Dog for Smaller operation on 205-370 machine	KP205RG Presser Feet Optional size 3, 4, 5, 6mm 	KH205RG-FD Feed Dog 	KH205RG-NP Extended Needle Plate 	
--	--	---	--	--	--

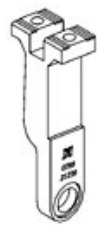
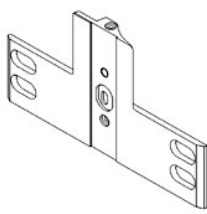
Single needle gauge set for Durkopp Adler 767 machine

<p>0767-120064KH</p>  <p>Needle bar complete for single needle 0767-120060+ 0291-000159 + 9203-312411</p>	<p>0291-000159 Thread guide 9203-312411 Screw</p>  <p>(It is for 0767-120060 only, not 0767-120050. We can supply a special screw to fix 0291-000159 on our 767-120050)</p>	<p>KH767-NCS</p>  <p>Single Needle Needle Holder with Screw, used together with Double needle needle bar 0367-232010KH</p>	<p>KH367-NP</p> <p>Needle plate for piping, which is used together with KH367FDP or KH367-FD</p> 	<p>Grooved feed dog's main purpose is solving the problem of unbalance between upper and lower layers. It must be used together with KH367-PR/-PL/-PF presser feet.</p> 	<p>KH367-HNP</p> <p>Needle plate for larger piping, which is used together with KH367-HFD</p>
			<p>KH367-FDP</p> <p>Grooved feed dog for 5mm piping, totally 11.5mm wide</p>	<p>KH367-FD</p> <p>Feed dog for piping, 11.5mm wide</p>	<p>KH367-HFD</p> <p>Grooved feed dog for 6mm piping, which is used together with KH367-HNP</p>


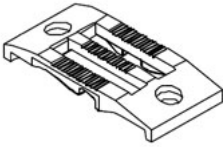

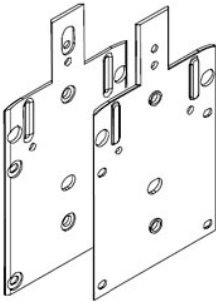
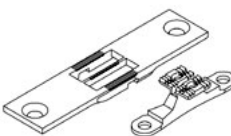
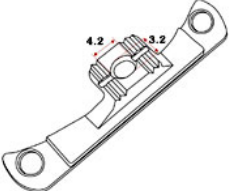
<p>KH467-NP6/FD6</p>  <p>Feed Dog 8mm wide Max Stitch Length 6mm</p>	<p>KH467-NP11/FD11</p>  <p>Feed Dog 8mm wide Max Stitch Length 11mm</p>	<p>KH467Q-NP/FD</p>  <p>Used only with KP467Q presser feet For Upturned material or seam with a large drop-height</p>	<p>KH467N081-NP/FD</p>  <p>Used only with KP367-N081, R091, -L081 presser feet for narrow operation.</p>	<p>KH467-B</p>  <p>Feed dog enable the binder and its arm KHB-767 rocking together</p>	<p>0767-200030</p>  <p>Needle plate for 767-KFA-373-RAF-HP Max stitch length 9mm</p>
---	---	---	---	--	--

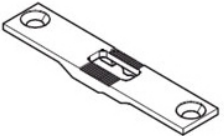
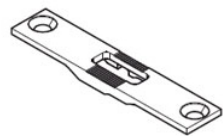
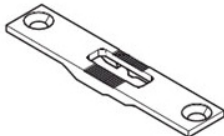
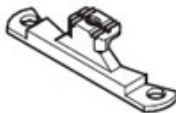
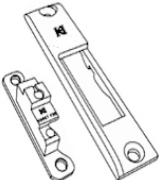
Double needle gauge set for Durkopp Adler 767 / 768 machine

<p>0367-232010KH</p>  <p>Needle Bar for double needle without needle holder</p>	<p>KH767-NC</p>  <p>3, 4, 5, 6, 8, 9, 10, 12, 14, 16mm</p> <p>Needle holder for double needle</p>	<p>KH767-NP/FD</p>  <p>3, 4, 5mm</p> <p>Needle plate for 767</p>	<p>KH767-NP/FD</p>  <p>6, 8, 10, 12, 14, 16mm</p> <p>Needle plate for 767</p>	<p>KH768-NP</p>  <p>5, 6, 8, 10, 12, 14, 16mm</p> <p>Needle plate for 768</p>	<p>KH768-NPT</p>  <p>5, 6, 8, 10, 12, 14, 16mm</p> <p>Needle plate for 768 with thread trimmer</p>
---	---	--	--	---	--

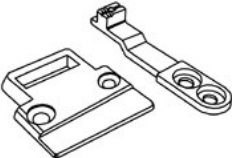
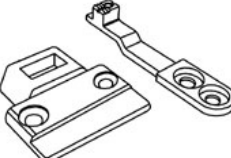
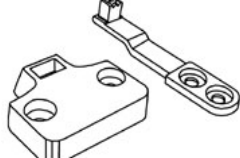
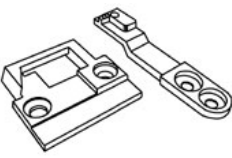
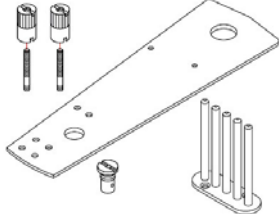
<p>KH768-FD</p>  <p>5, 6, 8, 10, 12, 14, 16mm</p> <p>Feed dog for 768</p>	<p>KH768-NPC</p>  <p>5, 6, 8, 10, 12, 14, 16mm</p> <p>Needle plate carrier for 768</p>				
---	--	--	--	--	--

Gauge set for Durkopp Adler 867 / 868 machine

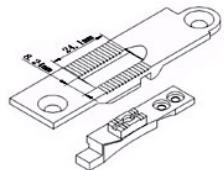
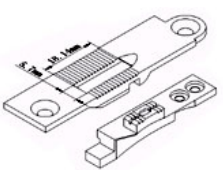
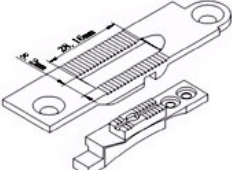
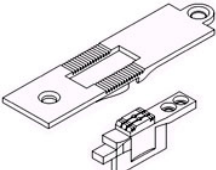

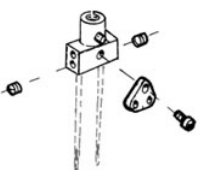
KH868-NB	KH868-NP	KH868-FD	KH868-NPC	KH867-DNP/DFD	867-210010FDH
					
Needle Bar with needle holder for single needle	Needle plate Max. stitch length 12mm	Feed dog Stitch hole size 3mm	Lateral cover	Needle size 110-140 Stitch length max. 9mm	Bigger Needle hole 867-210010 Needle hole 4.2 x 3.2 mm


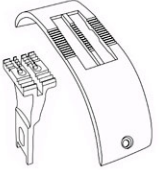

867-200010	867-200020	867-200030	867-210010	KH867-BNP/BFD	
					
Stitch length max. 6mm	Stitch length max. 9mm	Stitch length max. 12mm	Feed dog	Needle Plate and Feed Dog for Binding (Moving Arm)	

Gauge set for Durkopp Adler 69 machine

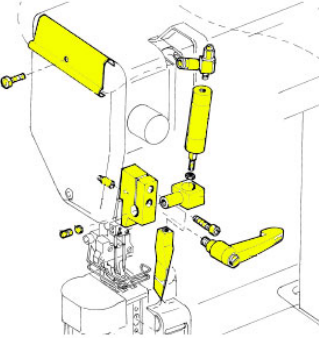
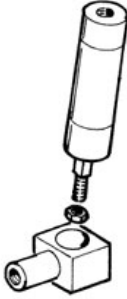
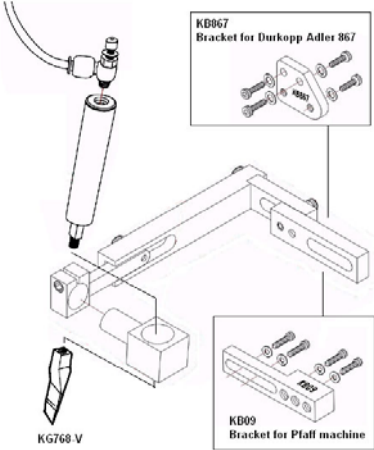
KH69R	KH69D	KH69S	KH69F	KA69
				
Regular Needle plate and feed dog set Max. Stitch length : 8mm Plate top 20.5mm long	Raised, Small Needle plate and feed dog set Max. Stitch length : 5mm Plate top 16mm long	Extra Small needle plate and feed dog set Max. Stitch length : 3mm Plate top 12.3mm long	Needle plate and feed dog set for Binding Max. Stitch length : 8mm Plate top 20.5mm long	Arm cover for binding on 69 machine


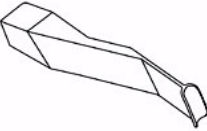

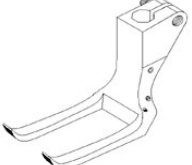
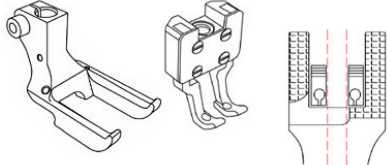
Gauge set for Durkopp Adler 267 / 269 machine

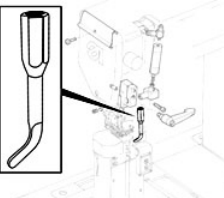
KH267S-NP11/FD11	KH267Q-NP/DFD	KH267NF-NP/DFD	KH267D-NP/DFD	KH767-NCS	KH767-NC
					
Max stitch length : 11mm Normal Needle Plate & Feed dog for 267	For Uprturned material or seam with a large drop-height * must be used with KP467Q	Conversion to 267 Needle Feed	3, 4, 6, 8mm Needle Plate & Feed dog for 267 double needle	It must be used together with 267 special needle bar KH269NB Needle holder for single needle	3, 4, 5, 6, 8, 9, 10, 12, 14, 16mm It must be used together with 267 special needle bar KH269NB

KH269NB	KH269D-NP/DFD	KH269-NP/DFD			
					
It is an adaptor for fixing our needle holder on 267/269 machine.	Needle Plate & Feed dog				

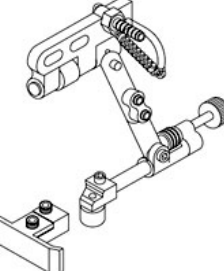
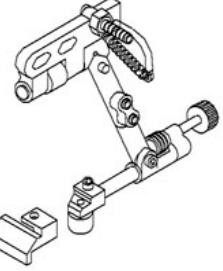
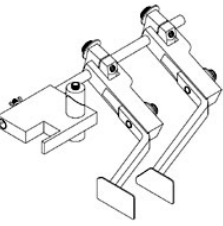
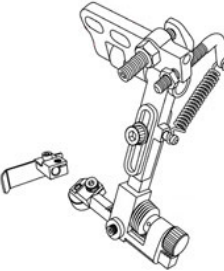
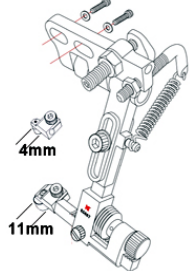
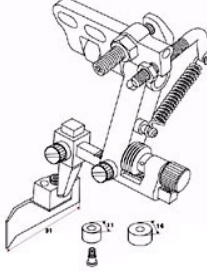
Pneumatic guide for Durkopp Adler 768 / 868 machine

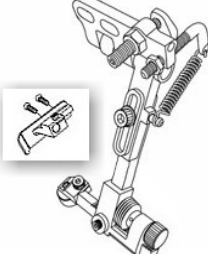
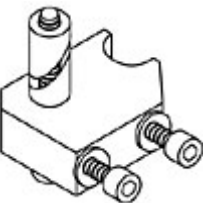
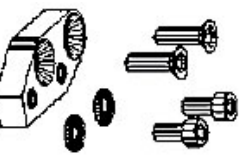
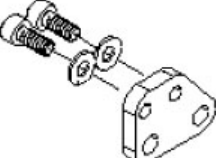
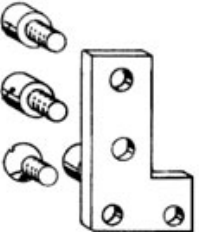
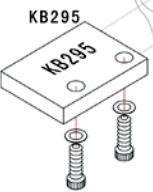
KG768VP	KG768-Y	KG868VP / KG1296VP	
 <p>Includes: KG768-V (N800 005614) KG768-Y (9700 100040 N800 005613 9231 110127) N800 005612 N800 005615 9202 002517 0999 210760 9205 102778 9217 171811 9710 920013 9731 005004 0767 360050 9202 042508 Black 8" pipe</p>	 <p>9700-100040 piston with holder</p>	 <p>KB867 Bracket for Durkopp Adler 867</p> <p>KB09 Bracket for Pfaff machine</p>	<p>KG868VP equipped with KB867 bracket for Durkopp Adler 868 (0699-989250 & 0667-595050 is not needed)</p> <p>KG1296VP equipped with KB09 bracket for most Pfaff post bed machine</p>

KG768-V	KG768-M	KP768-I	KP767U	KP768MO + KP768MI	
 <p>N800 005614</p>		 <p>6, 8, 10, 12, 14mm</p>	 <p>3, 4, 5, 6, 8, 10, 12, 14, 16mm</p>	 <p>10mm needle space, for center piping</p>	

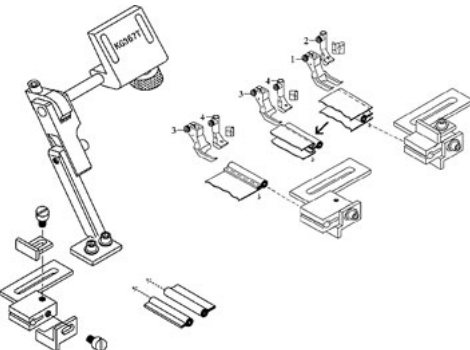
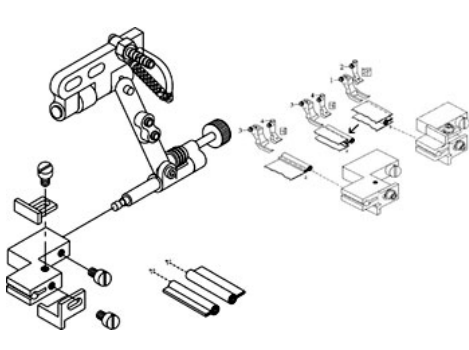
KG768-C					
					

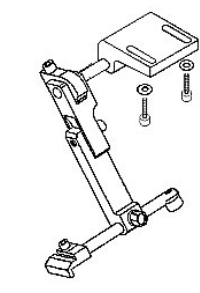

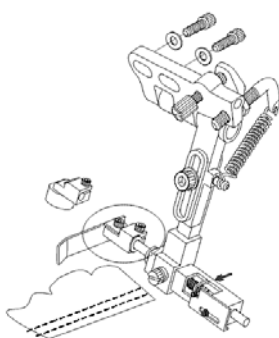
Suspending guide for Durkopp Adler machine

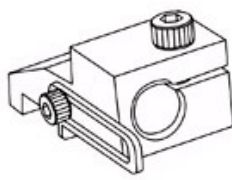
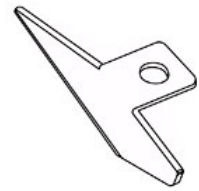
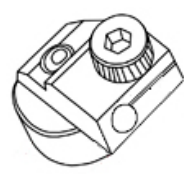
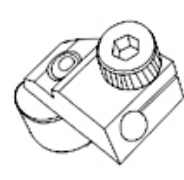
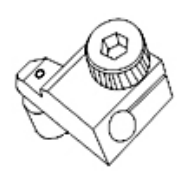
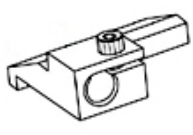
KG767A	KG767B	KG767D	KG867	KG867S	KG867N
 <p>N800 075006</p>	 <p>204-240023</p>	 <p>N800 025009 Double Guide and Bracket</p>	 <p>Long Straight Guide and 14mm diameter roller guide</p>	 <p>4mm and 11mm roller guide</p>	 <p>N type allows both hand holding the material.</p>

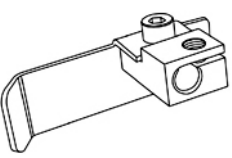
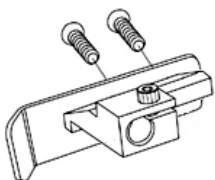
KG967	KB767	KB267	KB867	KB205	KB295
					 <p>same as N900-003364, suitable</p>

Extra Long Guiding Bar is 20mm longer than KG867	Bracket for 767, 467, 477	Bracket for 267, 268, 269	N800 080003 Bracket for 867	Bracket for 204-370, 205-370	for 243, 244, 291, 294, 295, 296, 491 and 195
---	---------------------------	---------------------------	--------------------------------	---------------------------------	--

KG367T	KG767T
 <p>The guide on KG367T is free adjustable. The cord can be inserted into the guide at right or left side.</p> <p>Applicable presser feet: KH367-PF (4, 5, 6, 8 or 9mm) , KH367-PR (3.2, 4.8, 6.4mm), KH367-PL (3, 4, 5, 6, 8 or 9mm)</p>	 <p>The guide on KG767T is free adjustable. The cord can be inserted into the guide at right or left side.</p> <p>Applicable presser feet: KH367-PF (4, 5, 6, 8 or 9mm) KH367-PR (3.2, 4.8, 6.4mm) KH367-PL (3, 4, 5, 6, 8 or 9mm)</p>

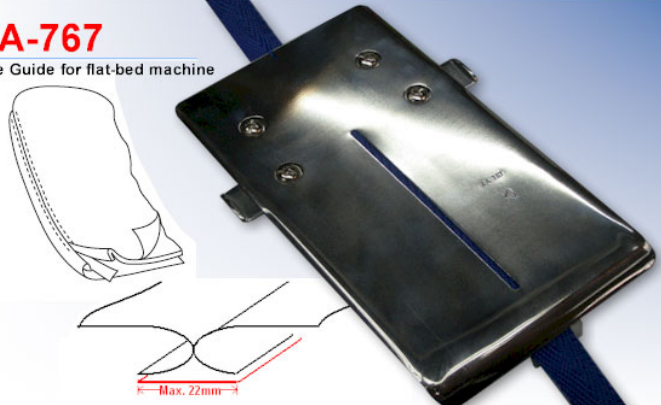
KG367B	KG367X	KG867Y		
 <p>204-240023</p>	 <p>Adjustable horizontally and vertically. Combined hinged roller and straight stop.</p>	 <p>2 steps adjustable guide Max. adjusting range between 2 steps = 16mm</p>		

KG-NR	KG-AC	KG-B14	KG-S11	KG-S04	KG-BZ
 <p>Regulating guide for Zipper</p>	 <p>Center Guide Replacement and Improved version of 0667-245004</p>	 <p>Roller diameter: 14mm</p>	 <p>Roller diameter: 11mm</p>	 <p>Roller diameter: 4mm</p>	 <p>Zipper Guide</p>

KG-AA	KG-AB				
 <p>Long straight guide</p>	 <p>Solid long straight guide</p>				

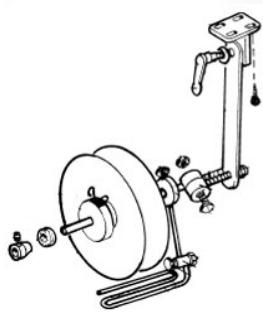
Attachment for Durkopp Adler 767 machine

KA-767
Tape Guide for flat-bed machine




Max. 22mm

KA-767R
Tape Guide for Flat-bed Machine

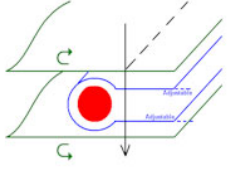


N900 001527 Roller Holder + KA-767


KHF767-WS
= Swivel rail N800 V91164 + Welting Attachment N093 V91163
for DURKOPP ADLER 367 & 767... ..



Field of application:
- Home upholstery
- Car upholstery
- Leather processing

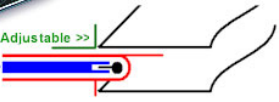


KHF767-TS Attachment Designed for DURKOPP ADLER
Welting Attachment KHF767T + Swivel Rail N800 V91164



Field of application:
- Car Upholstery
- Home upholstery
- Leather processing

<< Adjustable >>



KHF767-RG Attachment Designed for DURKOPP ADLER

- * Swivel Rail N800 V91164
- * Right Retainer Guide N800 V91180
- * Left Retainer Guide N800 V91271



N800 V91164

N800 V91271

N800 V91180

KHF767-TA Attachment Designed for DURKOPP ADLER

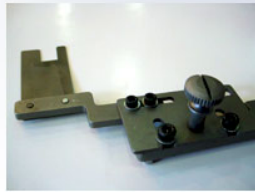
- * Swivel Rail N800 V91164
- * Tape Guide N516 V91174



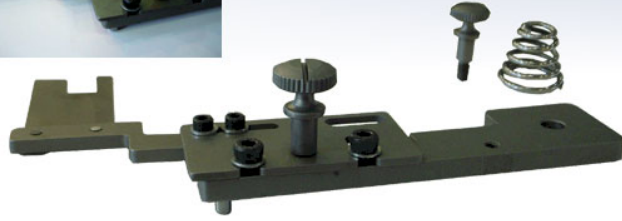
Tape guide is adjustable from 1.5cm to 4cm.

KHF767-UL

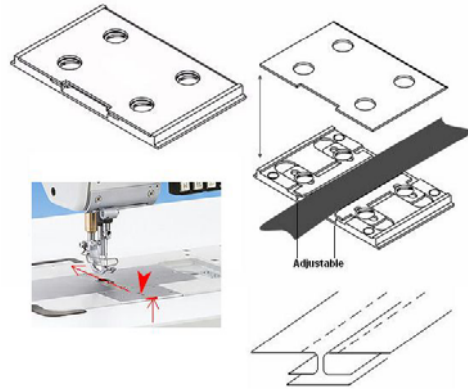
Attachment Designed for
**DURKOPP
ADLER**



- * Partition attachment separates the upper & lower layers,
- * Enable to set the upper feeding and bottom feeding different from each other.



KHF467

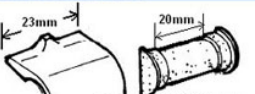


Tape Guide on Front
Slide Plate for 467 and
767 machine.
Adjustable between
15mm and 25mm wide

Attachment for Durkopp Adler 768 machine

KA-768

Belt Guide Completed Set
for 20mm belt



Belt Insert
N522-005055 (20mm) is given.

Other optional size of belt insert:
N522-005045 (18mm)
N522-005035 (16mm)
N522-005025 (14mm)

Belt Guide

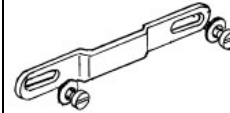
- N522 005022 (14mm)
- N522 005032 (16mm)
- N522 005042 (18mm)
- N522 005052 (20mm)

N522 005007

N522 005008



Belt Guide Completed

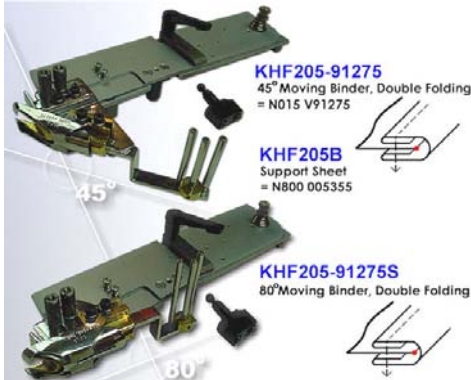


Shackle



Guiding plate

Attachment for Durkopp Adler 205-370 machine

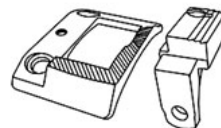


KHF205-91275
45° Moving Binder, Double Folding
= N015 V91275

KHF205B
Support Sheet
= N800 005355

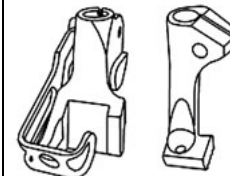
KHF205-91275S
80° Moving Binder, Double Folding

KH205NPB/FDB



Feed Dog 11.4mm wide for
Binding with 205-370 machine
Used together with KP205B
feet

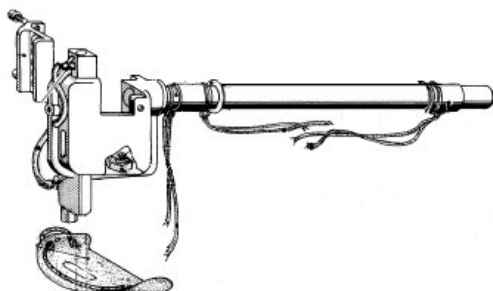
KP205B



Binding for 205-370
machine
Used together with
KH205NPB/FDB

Spare parts for Durkopp Adler 467, 767, 768 machine

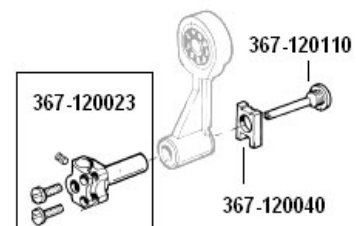
367-120284



0367-120023 Needle bar connection asm.

0367-120024 Slide stone

0367-120110 Oil disc


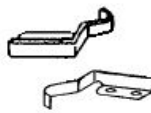


Spare Parts for Unison Feed	0367-232010KH	0767-120064KH	0767-120050KH
	<p>Needle Bar for double needle without needle holder</p>	<p>Needle bar complete for single needle 0767-120060+ 0291-000159 + 9203-312411</p>	<p>Needle bar complete for single needle</p>






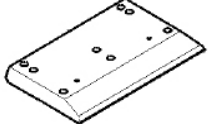
<p>367-150813 367-150433</p> <p>Driving Shafts and Gears Cpl.</p>	<p>467-160200 467-160220</p> <p>Link, for feed lift eccentric</p>	<p>0245-001660A</p> <p>Diameter: 26mm</p>	<p>0245-001660AS</p> <p>Diameter: 26mm Bobbin with spiral lining</p>	<p>667-156530</p> <p>Diameter: 22mm</p>	<p>667-150830</p> <p>Diameter: 32mm</p>
--	--	--	---	--	--

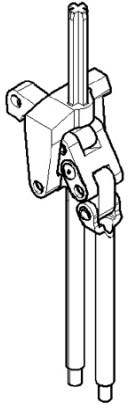
<p>0211-001033KH1</p> <p>Slot type Screw for 2N needle holder</p>	<p>0211-001033KH6</p> <p>Hexagon Screw for 2N needle holder</p>	<p>0216-000134KH</p> <p>Hexagon Screw for 767, 467 needle plate</p>	<p>367-140320</p> <p>Left Slide Plate</p>	<p>367-140090</p> <p>Right Slide Plate</p>	<p>367-140090F</p> <p>Right Slide Plate for attachment installation</p>
--	--	--	--	---	--

<p>0367-150270KH</p> <p>Bobbin supporting spring</p>	<p>KH767-NCS</p> <p>Single Needle Needle Holder with Screw, used together with Double needle needle bar 0367-232010KH</p>	<p>0291-000159 Thread guide 9203-312411 Screw</p> <p>(It is for 0767-120060 only, not 0767-120050. We can supply a special screw to fix 0291-000159 on our 767-120050)</p>	<p>367-170044</p> <p>Winder Shaft</p>	<p>0068 000280KH</p> <p>767 Take-up spring</p>	<p>0068 004910KH</p> <p>767 Take-up spring</p>
---	--	---	--	---	---

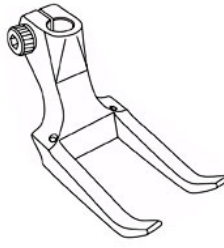
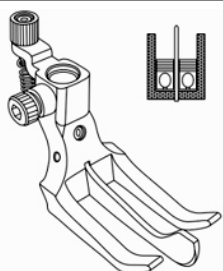

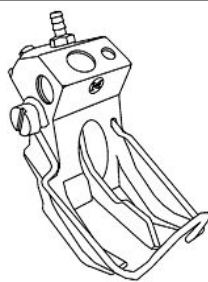
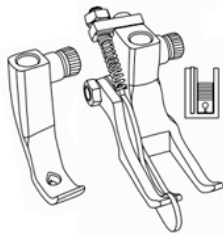

099-004700KH-1.6	367-350060				
 Stronger Taper Tension Spring Diameter : 1.6mm	 Clamping Spring				

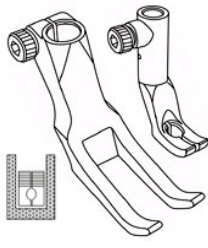
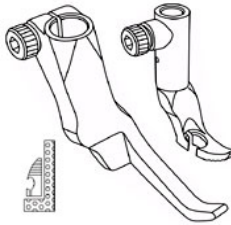
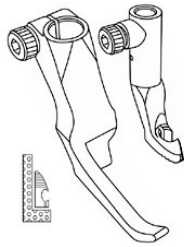
Spare parts for Durkopp Adler 867 machine

667-355130	667-355140	0667-35510	667-150830	767-150590	867-140030
			 Diameter: 32mm	 Bobbin	 Slide plate



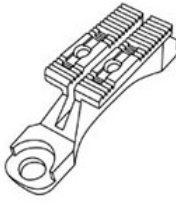
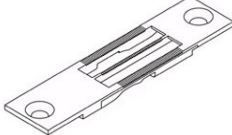
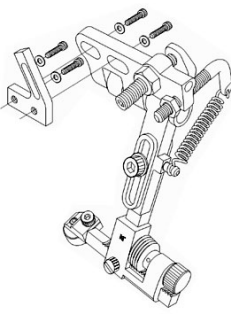
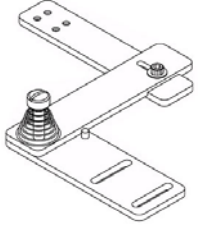
KH867-PBA					
 = 667 315053 + 667 315113 + 667-315070					


Presser feet for Durkopp Adler 867 / 868 machine (12mm stitch length)

KP867U	KP868-SO	KP868-SI	KP868-AO	GL867	GR867
 6, 8, 10, 12, 14, 16mm	 6, 8, 10, 12, 14, 16mm	 6, 8, 10, 12, 14, 16mm	 6, 8, 10, 12, 14, 16mm	 3, 4, 5, 6, 8, 9mm	 3, 4, 5, 6, 8, 9mm

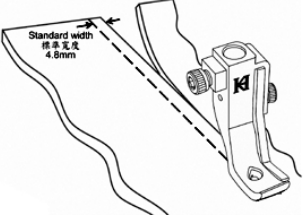



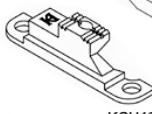
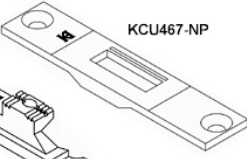
KP867W	KP867LN	KP867RN			
					

Double needle gauge set for Durkopp Adler machine 1230i

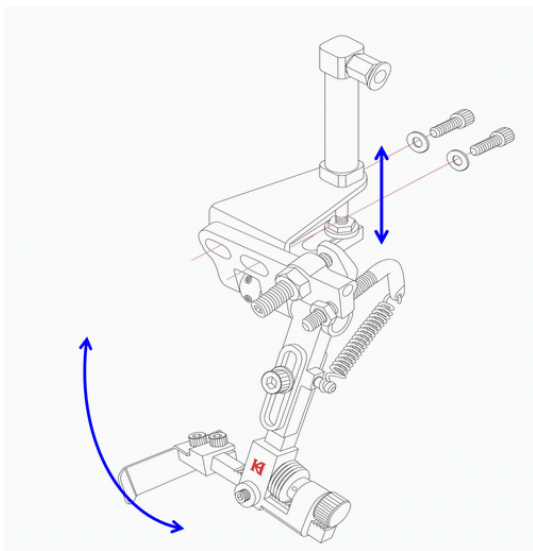
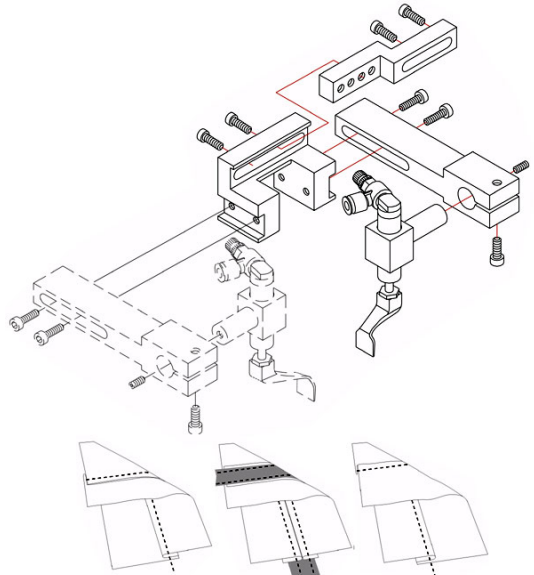
KP1230-D	GR1230	KH1230-FD	KH1230-NP	KG1230	KA1230B
					
3.5, 5, 6, 8, 10, 12mm	5, 6mm Guiding distance: 1.8mm	3.5, 5, 6, 8, 10, 12mm	3.5, 5, 6, 8, 10, 12mm		For the binders, please see our KHF2, 3, 4 Binder bracket

KP1230-NC					
					
3.5, 5, 6, 8, 10, 12mm					

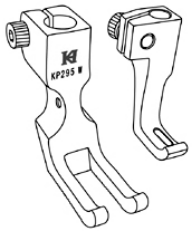
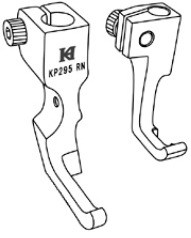
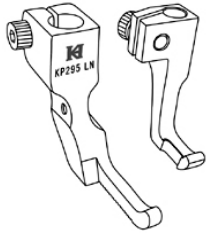
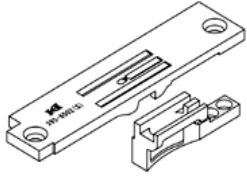
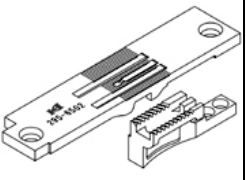
Single needle gauge set for Durkopp Adler 767 machine

KCU467-GS			
	 KCU467-PW  KCU467-PS  KCU467-KF  KCU467-FD  KCU467-NP		
Edge Cutting Gauge set for Durkopp Adler 467/767 (optional size 4.8mm and 3.0mm)			

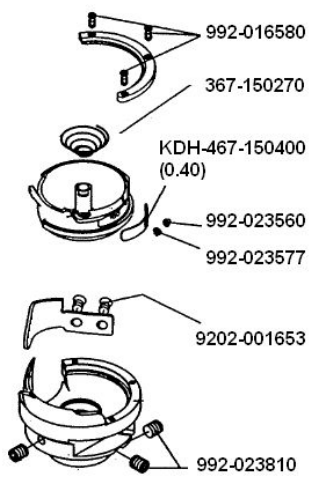
Pneumatic guide for Durkopp Adler 768 machine

KG778	KG777
	
KG778 is a pneumatic lifted edge guide for all machine. It can be used together with our guide bracket for fixing on different machine.	KG777 is a Pneumatic Guide for all machine. It can be used together with our guide bracket for fixing on different machine.

Gauge set for Durkopp Adler 291, 294, 295 machine

KP295W	KP295LN	KP295RN	KP295SS-NP/FD	KP295ST-NP/FD	
			 Special designed for soft and thin material (smooth feed dog)	 Special designed for soft and thin material	

KARDIA™ hook for Durkopp Adler 467 / 767 / 768 / 867 machine

	Coating	Thread Trimmer		
KDH-467TR	DLC	O	Oil free, for heavy duty	 <p>Properties of Diamond-Like Coating (DLC) : Amorphous and hydrogenated amorphous carbon films have high hardness, low friction, electrical insulation, chemical inertness, optical transparency, biological compatibility, ability to absorb photons selectively, smoothness, and resistance to wear. It is one of the best coating method for high speed machine. DLC coating has higher resistance to wear comparing with Chromium or Teflon coating. It allows Kardia rotary hook running without lubrication and have high durability.</p>
KDH-467A	DLC	X	Oil free, for heavy duty	
KDH-768TR	DLC	O	Oil free, for heavy duty	
KDH-768A	DLC	X	Oil free, for heavy duty	
KDH-867(26) KDH-867(32)	DLC	O	Oil free, for heavy duty	

KDH-467TR	KDH-467A	KDH-768TR
  <p>For Durkopp Adler 467, 767 single and double needle machine with thread trimmer</p>	  <p>For Durkopp Adler 467, 767 single and double needle machine</p>	    <p>For Durkopp Adler 768 single and double needle machine with thread trimmer</p>

KDH-768A	KDH-867(26) / KDH-867(32)
  <p>For Durkopp Adler 768 single and double needle machine</p>	  <p>For Durkopp Adler 867 single and double needle machine with thread trimmer (26mm / 32mm diameter bobbin)</p>